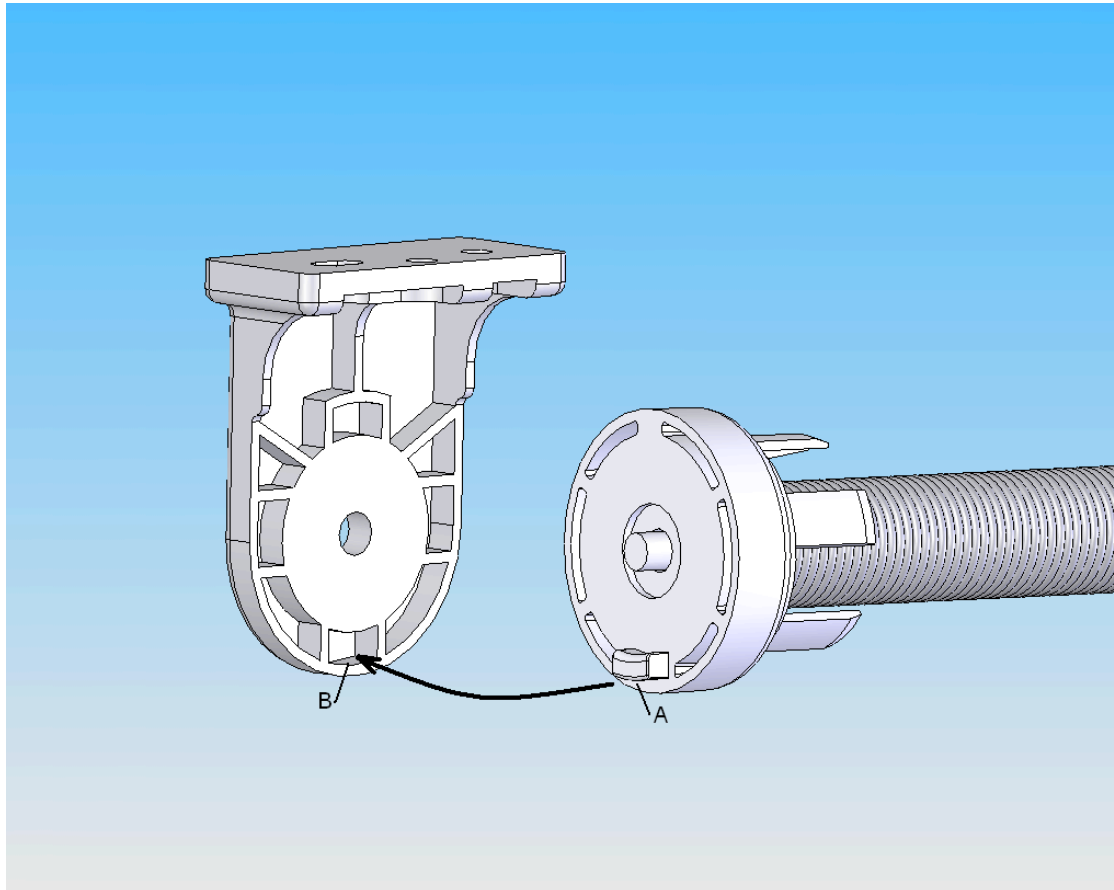


Instructions to fit spring loaded roller blinds:

There is a specific instruction, which must be followed when fitting spring roller blinds:

STEP ONE: Wind up the tension until a click is heard – it will now hold in place.

STEP TWO: Insert the spring unit into the bracket as below:



The extended section A, on the rear of the spring unit **MUST** insert into the slot B, at the bottom of the bracket, as shown. This arrangement applies regardless of the way the bracket is fixed i.e. side or top fixed.